



■ Features

- 40A continuous rating 85°C
- Plug-in or PC board terminals
- Optional mounting bracket
- Conform to RoHS,ELV directive

■ Ordering Code

TRV4	L	12V	(D1)	Z	F	P
1	2	3	4	5	6	7
1. Relay Model	2. Coil Power: D=1.9W, L=1.6W		3. Coil Nominal Voltage: 6, 12, 24VDC			
4. Nil: Standard: R1: Coil Parallel With 1/2W Resistor 680Ω For Coil Voltage 12VDC, Coil Parallel With 1/2W Resistor 2700Ω For Coil Voltage 24VDC, D1/D2: (With Diode)						
5. Contact Form: Z: Form C, H: Form A, D: Form B, U: Form U						
6. F: With Bracket, Nil: Without Bracket			7. P: PCB Type, Nil: B Type			

■ Coil Data (at 20°C)

Nominal Voltage(VDC)	6	12	24	
Coil Resistance(Ω±10%)	23	90	360	1.6W
Rated Current(mA)	267	133	67	
Max Operate Voltage(VDC)	3.9	7.8	15.6	
Min Release Voltage(VDC)	0.6	1.2	2.4	
Coil Resistance(Ω±10%)	19	76	300	1.9W
Rated Current(mA)	317	158	79	
Max Operate Voltage(VDC)	3.9	7.8	15.6	
Min Release Voltage(VDC)	0.6	1.2	2.4	
Max Applicable Voltage	130% of nominal voltage at 70°C, 170% of nominal voltage at 23°C			

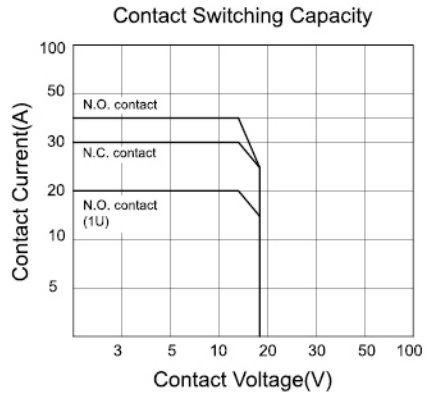
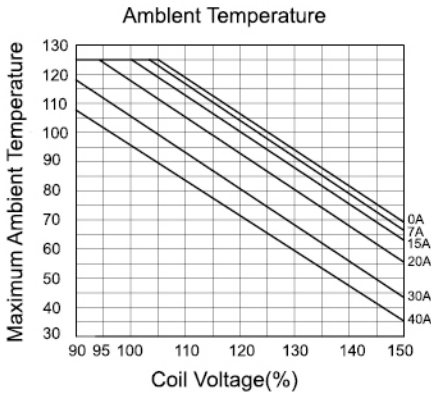
■ Contact Data

Contact Form	1Z/1H/1D/1U
Contact Material	Silver Alloy
Load	Resistive Load(COSφ1)
Contact Ratings	NO: 40A 14VDC, 2X20A 14VDC (1U) NC: 30A 14VDC
Max Switching Voltage	30VDC
Max Switching Current	40A
Max Switching Power	560W
Contact Resistance	100mΩMax at 6VDC 1A
Life Expectancy	Electrical: 100,000 Operations (at 30 Operations/minute)
	Mechanical: 10,000,000 Operations (at 300 Operations/minute)

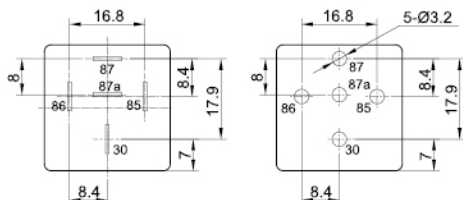
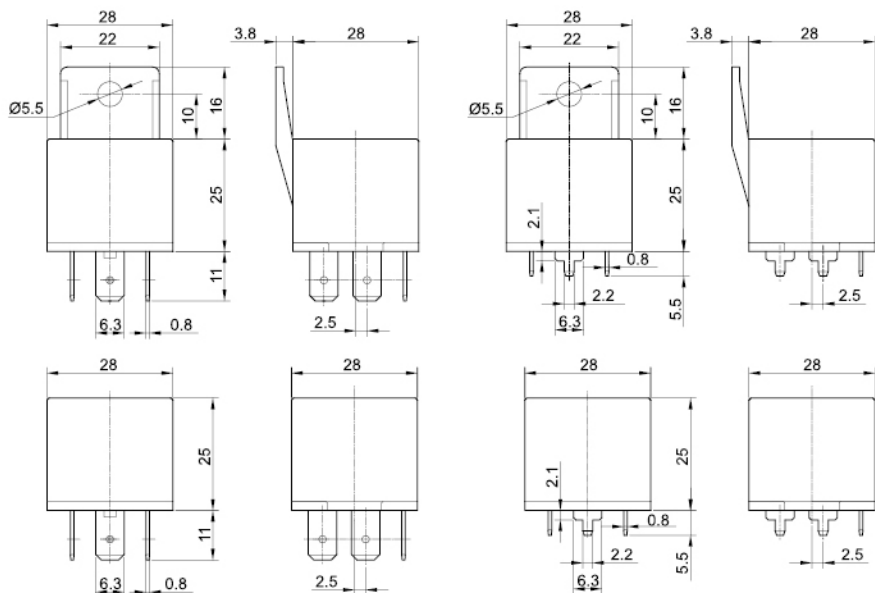
## ■ Characteristics Data

Insulation Resistance	100MΩMin at 500VDC
Dielectric Strength Between Open Contacts	500VAC (for one minute)
Between Contacts and Coil	750VAC (for one minute)
Operate Time	10ms
Release Time	10ms
Temperature Range	-40°C to +85°C
Shock Resistance	Operating Extremes: 10G Damage Limits: 20G
Vibration Resistance	10-40Hz, 1.5mm
Max. Switching Frequency	Mechanical: 18,000 operations/hr Electrical: 1,800 operations/hr
Humidity	40-85%
Weight	Approx: 40g

## ■ Engineering Data

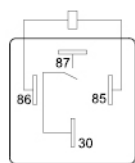
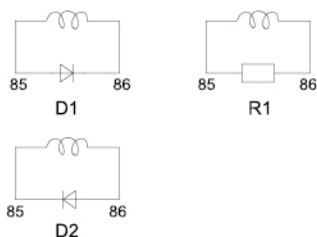


## Overall and Mounting Dimensions



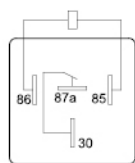
Terminal Layout (Quick Type)

PCB Layout (PCB)



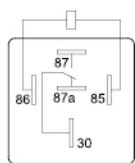
1A

Wiring Diagram



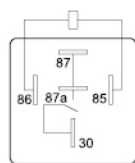
1B

Wiring Diagram



1C

Wiring Diagram



1U

Wiring Diagram

### Remark:

- 1). In case the tolerance is not shown in outline dimension, the tolerance should be  $\pm 0.2\text{mm}$  for outline dimension  $\leq 1\text{mm}$ ;  $\pm 0.3\text{mm}$  for outline dimension:  $1\sim 5\text{mm}$  and  $\pm 0.4\text{mm}$  for outline dimension  $> 5\text{mm}$ .
- 2). The tolerance without indication is always  $\pm 0.1\text{mm}$  for the dimension of PCB layout.

### Disclaimer:

These specifications are just for customers' reference and subject to change without notice.